

# HAWK MV-4000

## SPECIFICATIONS AND OPTIONS



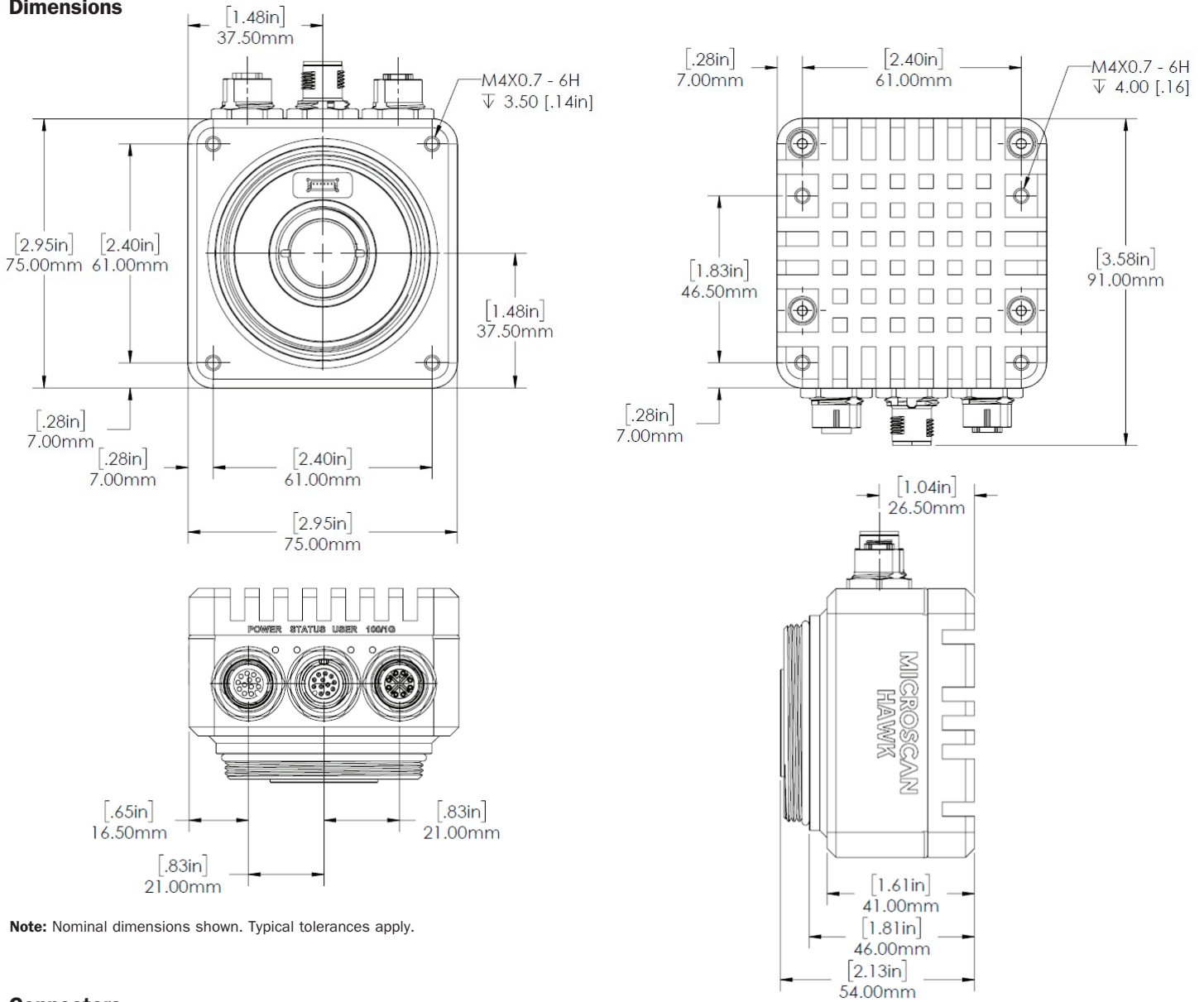
Length (without connectors): 75 mm (2.95") x 75 mm (2.9") ± 2 mm (0.079")  
 Width: 75 mm (2.95") ± 2 mm (0.079")  
 Depth (without lens): 54 mm (2.13") ± 2 mm (0.079")  
 Weight: 460.39 g (16.24 oz.)

C-Mount Optics

Model	HAWK MV-4000-03	HAWK MV-4000-03C	HAWK MV-4000-13	HAWK MV-4000-13C	HAWK MV-4000-20	HAWK MV-4000-20C	HAWK MV-4000-50	HAWK MV-4000-50C
<b>Sensor</b>								
<b>Make and Model</b>	ON Semiconductor – Python Family (NOIP1SN or NOIP1SE)				ON Semiconductor – Python Family (NOIP1SN or NOIP1SE)			
<b>Type</b>	CMOS							
<b>Geometry</b>	1/4"-Type		1/2"-Type		2/3"-Type		1"-Type	
<b>Format</b>	Monochrome	Color	Monochrome	Color	Monochrome	Color	Monochrome	Color
<b>Resolution (H x V)</b>	640 x 480		1280 x 1024		1920 x 1200		2592 x 2048	
<b>Frame Rate (Effective)</b>	Up to 240 FPS	Up to 120 FPS	Up to 75 FPS	Up to 32 FPS	Up to 42 FPS	Up to 20 FPS	Up to 21 FPS	Up to 8.5 FPS
<b>Pixel Size (H x V)</b>	4.8 μm x 4.8 μm							
<b>Gain Range</b>	0 to 19.4 dB							
<b>Shutter Speed</b>	50 μsec to 4 sec							
<b>Trigger Response</b>	External trigger to strobe output delay = 10 μs. Jitter = 1 - 2 μs.							
<b>Processor, Memory, Storage</b>								
<b>Processor</b>	Dual Core							
<b>Memory</b>	2GB RAM							
<b>Storage</b>	32GB							
<b>Interfaces</b>								
<b>Network</b>	Gigabit Ethernet							
<b>HMI</b>	VGA and USB 2.0 (for keyboard and mouse)							
<b>Digital I/O</b>	3 optocoupled inputs, 1 dedicated optocoupled trigger. 3 outputs (output 3 is used for external strobe when enabled).							
<b>Other</b>	Dedicated interface for Varioptic Caspian autofocus lens							
<b>Mechanical, Electrical, Environmental</b>								
<b>Lens Type</b>	C-Mount							
<b>Connectors</b>	M12 8-pin socket for Ethernet; M12 12-pin socket for power, digital I/O, M12 12-pin plug for VGA and USB							
<b>Weight</b>	460 g							
<b>Power Consumption</b>	450 mA @ 24VDC or 10.8W (typical)							
<b>Operating Temperature</b>	0° C to 50° C (32° F to 122° F)							
<b>Ventilation Requirement</b>	Natural convection							
<b>IP Rating</b>	IP67 (with lens cap)							

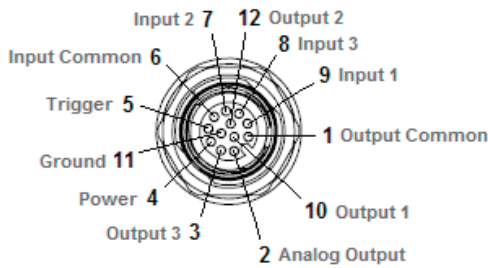
# HAWK MV-4000 SPECIFICATIONS AND OPTIONS

## Dimensions

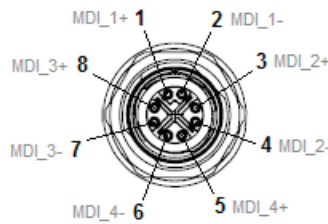


**Note:** Nominal dimensions shown. Typical tolerances apply.

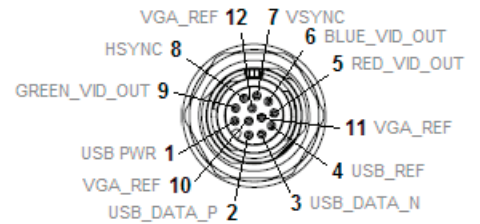
## Connectors



**Digital I/O and Power Connector**  
M12 12-Pin Socket



**10/1000 Base-T Connector**  
M12 8-Pin X-Coded Socket



**VGA/USB Connector**  
M12 12-Pin Plug

©2018 Omron Microscan Systems, Inc. SP101A-EN-0518  
Specifications are subject to change. For complete technical information, please see the User Manual.  
Warranty - For current warranty information about this product, please visit [www.microscan.com/warranty](http://www.microscan.com/warranty).

**OMRON**  
MICROSCAN

[www.microscan.com](http://www.microscan.com)